

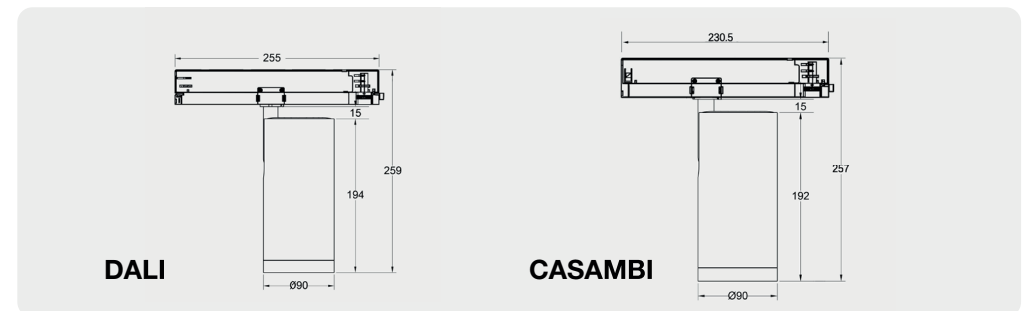
FOCUS A 130

dimmbar per Poti / DALI / CASAMBI, ZOOM-Linse (15°–60°)

dimmmable via Potentiometer / DALI / CASAMBI, ZOOM-lens (15°–60°)

Technische Daten / Technical data

| | |
|--|-------------------------------------|
| Dreh-/schwenkbar / rotate-/tiltable | 355° / 90° |
| Leistung / Load | 31.5 W |
| Effizienz / Efficacy | 75 lm/W |
| Lichtstrom / Luminous flux | max. 2250 lm |
| Ausstrahlwinkel / Beam angle | 15°–60° ZOOM |
| Lichtfarbe / Colour temperatur | 2700 K / 3000 K / 4000 K |
| Farbwiedergabe / Colour rendering | CRI 90 / CRI 97 |
| Farbtoleranz / color deviation | 1.5 SDCM |
| Lichtstromerhalt / lm maintenance | L90 / B10 ≤ 50.000 h |
| LED failure rate | 0.1% ≤ 50.000 h |
| Dimmbar / Dimmable | Ja / Yes |
| Dimmbereich / Dimming range | 1%–100% |
| Dimmmethode / Dimming method | CCR + PWM |
| Material Gehäuse / material housing | aluminum |
| Material Linse / material lens | optisches Polymer / optical polymer |
| Schutzklasse / protection class | II |





Weiß / White Color

DOH = Dimmung per Poti / dimming via Potentiometer

DA = DALI

CAB=CASAMBI

| | | | | |
|------|----------------|------|--------|-------|
| 2045 | FOCUS A130 DOH | 30 W | 2700 K | CRI90 |
| 2046 | FOCUS A130 DA | 30 W | 2700 K | CRI90 |
| 2047 | FOCUS A130 CAB | 30 W | 2700 K | CRI90 |
| 2048 | FOCUS A130 DOH | 30 W | 2700 K | CRI97 |
| 2049 | FOCUS A130 DA | 30 W | 2700 K | CRI97 |
| 2050 | FOCUS A130 CAB | 30 W | 2700 K | CRI97 |
| 2051 | FOCUS A130 DOH | 30 W | 3000 K | CRI90 |
| 2052 | FOCUS A130 DA | 30 W | 3000 K | CRI90 |
| 2053 | FOCUS A130 CAB | 30 W | 3000 K | CRI90 |
| 2054 | FOCUS A130 DOH | 30 W | 3000 K | CRI97 |
| 2055 | FOCUS A130 DA | 30 W | 3000 K | CRI97 |
| 2056 | FOCUS A130 CAB | 30 W | 3000 K | CRI97 |
| 2057 | FOCUS A130 DOH | 30 W | 4000 K | CRI90 |
| 2058 | FOCUS A130 DA | 30 W | 4000 K | CRI90 |
| 2059 | FOCUS A130 CAB | 30 W | 4000 K | CRI90 |
| 2060 | FOCUS A130 DOH | 30 W | 4000 K | CRI97 |
| 2061 | FOCUS A130 DA | 30 W | 4000 K | CRI97 |
| 2062 | FOCUS A130 CAB | 30 W | 4000 K | CRI97 |



Schwarz / Black Color

DOH = Dimmung per Poti / dimming via Potentiometer

DA = DALI

CAB=CASAMBI

| | | | | |
|------|----------------|------|--------|-------|
| 2115 | FOCUS A130 DOH | 30 W | 2700 K | CRI90 |
| 2116 | FOCUS A130 DA | 30 W | 2700 K | CRI90 |
| 2117 | FOCUS A130 CAB | 30 W | 2700 K | CRI90 |
| 2118 | FOCUS A130 DOH | 30 W | 2700 K | CRI97 |
| 2119 | FOCUS A130 DA | 30 W | 2700 K | CRI97 |
| 2120 | FOCUS A130 CAB | 30 W | 2700 K | CRI97 |
| 2121 | FOCUS A130 DOH | 30 W | 3000 K | CRI90 |
| 2122 | FOCUS A130 DA | 30 W | 3000 K | CRI90 |
| 2123 | FOCUS A130 CAB | 30 W | 3000 K | CRI90 |
| 2124 | FOCUS A130 DOH | 30 W | 3000 K | CRI97 |
| 2125 | FOCUS A130 DA | 30 W | 3000 K | CRI97 |
| 2126 | FOCUS A130 CAB | 30 W | 3000 K | CRI97 |
| 2127 | FOCUS A130 DOH | 30 W | 4000 K | CRI90 |
| 2128 | FOCUS A130 DA | 30 W | 4000 K | CRI90 |
| 2129 | FOCUS A130 CAB | 30 W | 4000 K | CRI90 |
| 2130 | FOCUS A130 DOH | 30 W | 4000 K | CRI97 |
| 2131 | FOCUS A130 DA | 30 W | 4000 K | CRI97 |
| 2132 | FOCUS A130 CAB | 30 W | 4000 K | CRI97 |

Zubehör / Accessories



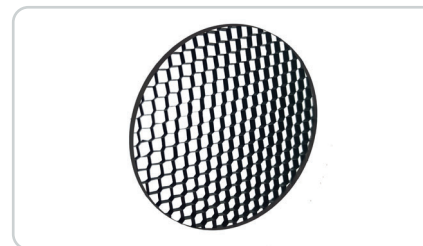
2066 **Torblenden** / flaps A130
weiß / white

2140 **Torblenden** / flaps A130
schwarz / black

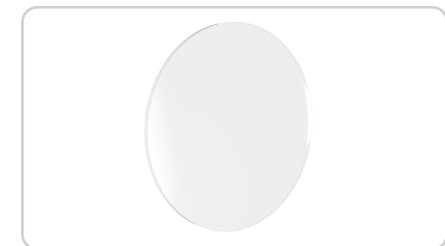


2070 **Blendschutz** / snoot A130
weiß / white

2136 **Blendschutz** / snoot A130
schwarz / black



2144 **Wabenraster** / Honeycomb A130



2148 **Skulpturenlinse** / oval lens A130

2152 **Weichzeichnerlinse** / soft lens A130

2156 **Flood-Linse** / flood lens A130